

**TENDER No. – 110290/WGI/GAIL GAS/15-R0
DATE: 22.02.2010**

Sr. No.	Section / Clause No.	Tender Doc. Page No.	Clause Description	Added / Modified / Deleted
1)	Bid Document Volume-II of II (Technical) Clause No.3	Page No.8 of 267	Charge area maps of Cities	Charge area maps are attached as Annexure-1
2)	Bid Document Volume-II of II (Technical) Clause No.2.28	Page No.7 of 267	Vendor List	Vendor List is attached as Annexure-2
3)	Bid Document Volume-I of II (Commercial) Item no. 1.4 in SOR	-	HDPE Duct	The size of HDPE duct is modified from 50 mm to 40 mm.Coil length shall be of 500 meter.
4)	Bid Document Volume-I of II (Commercial)	-	SOR	Revised SOR for Kota, Dewas, Meerut and Sonipat city is uploaded as Annexure - 3
5)	-	-	Time Schedule	Time Schedule for Kota,Dewas,Meerut and Sonipat city is added as Annexure-4
6)			Standard Drawing	Standard for OFC Duct Pit attached as Annexure-5
7)	Bid Document Volume-I of II (Commercial) / 1.2.3 of IFB and 61.4 of SCC	Page No.2 of 172 and Page No.118 of 172	Delivery / Completion Schedule from Fax of Intent And Annual Rate Contract Conditions	This clauses are modified as below: The Annual Rate Contract (ARC) shall be valid for a period of Sixteen (16) months.
8)	Bid Document Volume-I of II (Commercial) / 61.1 of SCC	Page No.118 of 172	Annual Rate Contract Conditions	This clause is modified as below: GAIL GAS can award job to successful bidder as per Schedule of Rates (SOR) in bid document as & when required during the validity of Rate Contract which will be Sixteen (16) months from the date of Fax of Intent. Length of laying of MDPE Pipes and other associated works and completion period shall be informed to Contractor by GAIL GAS by a firm 'Letter of Intimation' against subject Rate Contract during its validity.

Corrigendum-1 is to be treated as part of the original Tender document and while submitting your offer; Corrigendum-1 shall also be signed, stamped and submitted along with Tender Document.

Queries of All Bidders

ANNUAL RATE CONTRACT FOR MDPE PIPE LAYING AND ASSOCIATED WORKS				
Tender No - 110290/WG/GAIL GAS/15-R0				
Replies to Bidders Queries				
Sr No	Section Detail	Section/Description	Bidder Queries	WGI / GAIL GAS-Replies to Bidder's Queries
1	Bid Document Volume-I of II (Commercial) Clause no 2.2.1 Bid evaluation criteria	Bid evaluation criteria	Technical Criteria:- As a contractor of IGL we used to get the work against Item rate contract for the above similar job under the single Contract No & Tender No: IGL/ND/C&P/P10162 with different Work Order Nos: 6500000322,6500000476 & 6500000595 having value of max Rs 50.00 Lacs each for the allotted area. A copy of work completion certificate is attached for your kind reference. Moreover all the Work Order were closed under single contract only for the last 6 Yrs. Hence the above subject matter shall be considered as we are one of the progressive contractors for the City Gas Distribution Projects.	In case there are separate work order under the same tender in continuity Bidders shall submit a completion certificate satisfying the Bid Evaluation criteria
2	Bid Document Volume-I of II (Commercial) Clause no 2.2.1 Bid evaluation criteria	Bid evaluation criteria	Re considering the BEC on the basis of following points. i) Contractor having same good quantum of total work done in city gas distribution projects. ii) Contractor who is well experience in PNG installations. iii) Previously many companies like IGL/GGCL/AEL were providing material & only labour contracts were given, so turnover was less but quantum of work experience is good enough. iv) Due to the limits of signature authority the single value of contracts are mostly around 50lacs, and then amendments are made on the basis of unit rate. v) The contractor who is already registered with major City Gas List companies in India like IGL/MGL/GGCL/GSPC/AEL should be directly eligible for quoting price bid directly. Price bid should be considered directly.	Tender Conditions prevail
3	Bid Document Volume-I of II (Commercial)Clause no 2.2.1 Bid evaluation criteria	Bid evaluation criteria	As per the Technical criteria no 2.2.1.1. We are ELIGIBLE being a OFC Duct laying Contractor as well MDPE/ Steel Pipe Line laying Contractor BUT As per Technical Criteria 2.2.1.2. We are not eligible as it requires that the bidder must have laid MDPE/ Steel Pipes etc work - --- Moreover by FINANCIAL CRIETERIAS we are eligible as we have turnover of more than 400 lacs in all three years, our net worth is positive, our net working capital is more than Rs. 100 lacs In view of the above submissions and moreover with our experience in laying Steel Pipes/ MDPE Pipes as a Sub Contractor, we request to allow / qualify us for participating in the afore mentioned tender. We can provide you with the proofs of our experience in the gas distribution pipes laying activity.	Tender Conditions prevail

Queries of All Bidders

ANNUAL RATE CONTRACT FOR MDPE PIPE LAYING AND ASSOCIATED WORKS				
Tender No - 110290/WG/GAIL GAS/15-R0				
Replies to Bidders Queries				
Sr No	Section Detail	Section/Description	Bidder Queries	WGI / GAIL GAS-Replies to Bidder's Queries
4	Bid Document Volume-I of II (Commercial) Clause no 2.2.1 Bid evaluation criteria	Bid evaluation criteria	a)Tender document specifies that the bidder can also be a fiber optic duct laying contractor. Assuming the bidder has executed an order for gas pipeline laying & commissioning of value sufficient to qualify him to bid for one zone only. In case bidder wishes to bid for a second zone, can he submit proof of completion of fiber optic duct laying work of sufficient value to enable him to qualify for the second zone ?	Tender Conditions prevail. Duct laying can be part of MDPE / Steel pipeline laying contract
5			b) Is a solvency certificate also required for a bidder who meets the working capital requirement criteria mentioned in the tender document. If yes, kindly state the value of solvency required to be certified.	There is no requirement of solvency certificate as per Bid Document
6			c) Will the bidder qualify if he has carried out installation and commissioning of D.I. (Ductal Iron) water pipeline of sizes 250 / 600 / 800 mm and value as per tender document	NO
7		Obtaining permissions from local authorities	Please specify the support that the bidder can expect from GGL other than providing the authorization for the specific city or paying the statutory charges for which a formal demand is raised by local authorities like PWD, Municipal Corporation etc	GGL will provide authorisation letter and will reimburse the statutory fees applies for the particular permission on submission of necessary documentary evidence
8	Bid Document Volume-I of II (Commercial) Clause No. 57.2 Page No. 117 of 172	Free issue material	The tender document states : "Contractor's quoted price shall be inclusive of all costs on account of insurance liabilities covered under the Contract. Upto 3 Months 25% of value After 3 Months Upto 5 Months 70% of value Beyond 5 Months 100% of value" Please explain with a small example.	In first 3 Months only 25% of Value of FIM will be given to bidder.Hence at this stage insurance is to be done for 25% value of FIM.Similarly for balance FIM insurance is to be done within the period and of value as mentioned in Bid document.
9	Bid Document Volume-II of II (Technical) Clause No.3 Page No.8 of 267	Charge area MAPS of Cities	The tender document specifies that the actual areas that are to be covered in a specific city are marked in the city map enclosed with the tender document. No such drawings are available in tender document which we have downloaded from the WGI website. Please specify how we can obtain access to the same	Please refer Point No.1 of Corrigendum-1
10		Approved Vendor List	Kindly clarify if the bidder can be provided with a list of manufacturers who are approved by GGL / Consultant to supply material for execution of CGDN	Please refer Point No.2 of Corrigendum-1
11	Bid Document Volume-II of II (Technical) STD-19-146	Barricading	Will the bidder be required to provide barricading as per drawing No. STD-19-146 for the complete route irrespective of requirement of local authorities. In case of no objections from local authorities, can the bidder use only warning tapes with sufficient caution / information boards	The Standard drawing of Barricading will be followed.However depending on site conditions the requirements of barricading may vary and should be with prior approval of EIC

Queries of All Bidders

ANNUAL RATE CONTRACT FOR MDPE PIPE LAYING AND ASSOCIATED WORKS				
Tender No - 110290/WG/GAIL GAS/15-R0				
Replies to Bidders Queries				
Sr No	Section Detail	Section/Description	Bidder Queries	WGI / GAIL GAS-Replies to Bidder's Queries
12	Bid Document Volume-I of II (Commercial) Item no. 1.4 in SOR	Item no. 1.4 in SOR	a) Does the HDPE conduit refer to HDPE ducts which are generally laid to blow fiber cables.	Bidders understanding is correct
13			b) Does GGL plan to lay these ducts for blowing fiber at a future date?	Bidders understanding is correct
14			c) Does the cable blowing pit & RCC pit for HDPE conduit refer to a RCC manhole used on fiber routes?	Refer to standard for OFC Duct Pit attached with Corrigendum as Annexure-5
15			d) Kindly provide the specifications of the said RCC Pit.	
16			e) Will the HDPE ducts be laid only in trenches dug for PE pipelines or in certain areas separate trenching needs to be done ?	As per the item of SOR HDPE ducts be laid in the same pipeline trench of PE pipelines



Annexure-2
Recommended Vendor List for PE Fittings & Valves



S. No.	Vendor Name	CONTACT PERSON	Address	Phone no.	Fax no.	E-mail
1	Georg Fischer Piping Systems Pvt. Ltd.	Mr. Dheeraj Sikka	206,Ansai Clssique Tower,Community Centre,,J-Block,Rajouri Garden,New Delhi-11027	011-45520494/95/97	11-45520496	dheeraj@georgfischer.com
2	Kimplas Piping Systems Ltd	Mr Mudit Mathur	Ansals Fortune Arcade,MZ-37-39,MZ Floor,Second Floor,Sector18,Noida-(U.P)-201301	0120-4570658	0120 - 4570659	mudit.mathur@kimplaspiping.net
3	Pennwalt Agru Plastics Limited	Mr M.M.Mishra	Plot No.272,A,Savli GIDC,Village Manjusar,Dist. Vadodara,Gujarat	02667-264431/37/38	02667-264225	paras.bhatt@penagru.com , info@penagru.com
4	Glynwed Pipe Systems India Pvt. Ltd.	Mr S.Sesha Sai	A-208,Kailash Complex,Park Site,Vikhroli-Hiranandani Link Road,Vikhroli(W),Mumbai-400079	022-67258888	022-67253800	sesha.sai@glynwedindia.com
5	Polytec Co.Ltd.	Mr. D.H.Kim Mr Manik Rautham (Representative)	# 1st Floor, Ohsung Building, # 430-4, Bangbae 2-Dong, Seocho-Ku, Seoul, Korea Indian Representative C/O RMG Autometers Gas Technologies Ltd.,B-30,Phase-2,Noida-201305	00 82 2585102 0120 4624000	00 82 25231288 0120-4624001	polytec@empal.com sales@rmgautometers.co.in
6	Tega MuhendislikSanayi Ve Ticaret A.S.		1, Organize Sanayi Bolgesi Babursah Caddesi No: 16 Sincan 06930, Ankara / Turkey	00 90 312 267 18 76	00 90 312 267 18 77	tega@tega.com.tr
7	Durafuse		Walsall Road, Staffordshire, WS11 9NS, United Kingdom	00 44 1543 2799909	00 44 01543 279450	info@durafuse.com
8	AVK UK Ltd	Mr. Kieran Fitzpatrick	8 Rushmills,Northampton,NN4,7YB,England,UK	00 44 1604 601 188	00 44 1604 604818	kifi@avkuk.co.uk
9	NUPIGECO S.p.A.		Via Stefano Ferrario Z.I. SUD-OVEST I-21052 Busto Arsizio (VA) Italia - P.IVA 03039640127	00 39 0331 344211	00 39 0331 351860	info@nupigeco.com

ANNEXURE-4

TIME SCHEDULE

CONTRACT PERIOD:-

- 1.1.1 The contract shall be valid for 16 months from the date of Fax of Intent (FOI).
- 1.1.2 Engineer- in- charge will give "Letter of Intimation" for executing pipeline as & when requirement arises during the validity of contract. Contractor shall mobilise man power, machinery & other resources to construct the pipeline & associated facilities.
- 1.1.3 The completion period(reckon from "Letter of Intimation" by EIC) for various pipelines shall be as follows:

Sl. No.	Pipeline Length		Time Schedule Meerut/Sonipat/Dewas	Time Schedule Kota
1	Upto 2 Kms	:	10 Weeks	15 Weeks
2	More than 2 Km but less than 5 Kms	:	16 Weeks	24 Weeks
3	More than 5 Kms but less than 20 Kms	:	24 Weeks	36 Weeks

- 1.1.4 The completion period shall includes the time required for preparation of drawings (If required), procurement & supply of materials including their inspection & testing, mobilisation at site,construction,laying,fabrication,erection,inspection,testing,rectifications, if any, retesting pre-recommissioning & commissioning to the satisfaction of the Engineer-in-charge.
- 1.1.5 A joint programme of execution of work will be prepared by the Engineer-in-charge and contractor. This programme will take into account the Time of completion period mentioned in 1.1.3 above.
- 1.1.6 Monthly/weekly execution programme will be drawn up by the Engineer-in-Charge jointly with the contractor based on availability of materials, work fronts and the joint programme of execution as referred to above .The contractor shall scrupulously adhere to the Targets/ programmes by deploying adequate personnel, construction equipments, Tools and tackles and also by timely supply of required materials coming within his scope of supply as per contract. In all matters concerning the extent of target set out in the weekly / monthly programme and the degree of achievement, the decision of the Engineer-in-charge will be final and binding on the contractor.
- 1.1.7 Contractor shall give every day category wise labour and equipment deployment report along with the progress of work done on previous day in the performa prescribed by the Engineer-in-charge.



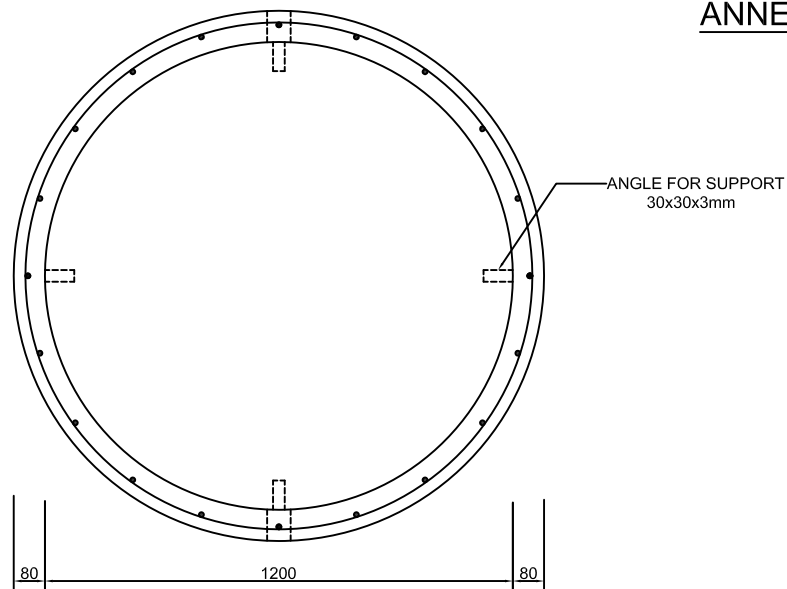
TIME SCHEDULE

DOCUMENT NO.

REV

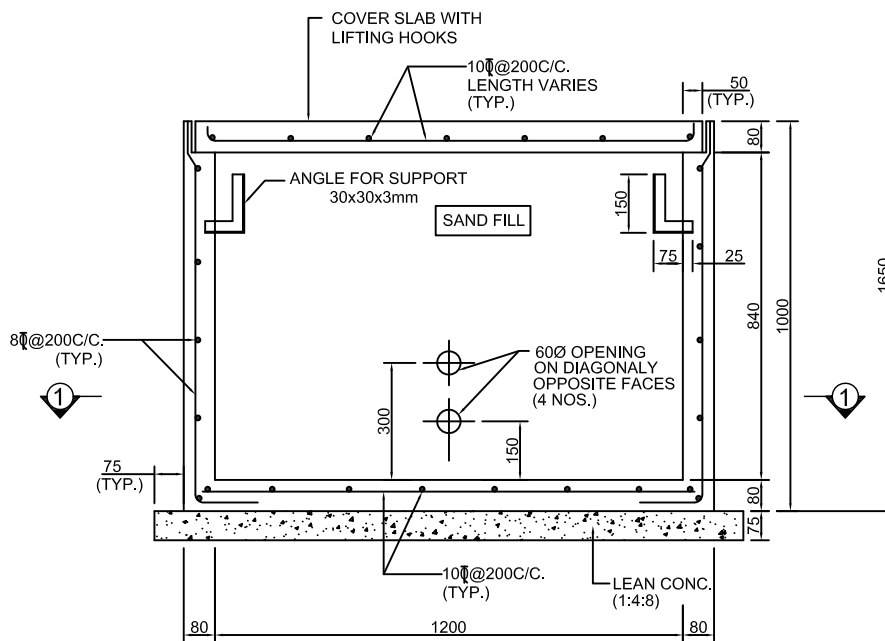
110290/ WGI/GAIL GAS/ 15-R0

0



SECTION 1-1

F.F.L.



SECTIONAL ELEVATION

NOTES:-

1. ALL DIMENSIONS ARE IN MILLIMETERS & LEVELS ARE IN METRES.
2. FOLLOW WRITTEN DIMENSIONS ONLY & DO NOT SCALE.
3. GRADE OF CONC MIX SHALL BE M 25 CONFORMING TO IS 456 .
4. REINF SHALL BE HYSD BARS OF GRADE Fe 415 CONFORMING TO IS 1786.
5. CLEAR COVER TO COVER SLAB REINFORCEMENT SHALL BE 30 mm.
6. WALL & FLOOR SLAB REINFORCEMENT SHALL BE CENTRALLY PLACED.
7. LAP LENGTH IN REINFORCING BAR SHALL BE 50 X BAR DIA.
8. NOT MORE THAN 50% OF BARS ARE TO BE LAPPED AT ONE LOCATION.
9. REINFORCEMENT ACROSS CUTOUTS TO BE DISPLACED AT SITE.
10. RUBBER CORK / SPECIAL CAP SHOULD BE FITTED AT THE END HDPE PIPE AFTER THE CABLE IS LAID.
11. SPARE CABLE SHOULD BE KEPT IN THE FORM OF A COIL OF DIAMETER 900 MM. UTMOST PRECAUTION SHOULD BE TAKEN WHILE MAKING COIL AS TWO SIDES OF CABLES ARE TO BE ALIGNED TOGETHER.
12. AFTER SPLICING ACTIVITIES, THE JOINTING CHAMBER SHOULD BE COMPLETELY FILLED WITH CLEAN SAND AND SHOULD BE COVERED WITH A PRE-CAST RCC SLAB.
13. EARTH SHOULD BE BACK- FILLED UP TO NORMAL GROUND LEVEL AND COMPACTED. ALL THE REMAINING EARTH SHOULD BE PUT BACK TO FORM HEAP OF EARTH OVER THE PIT.



**STANDARD
FOR
OFC DUCT PIT**

DRAWING NUMBER

1-05-036

SHEET 1 OF 1

REV

A