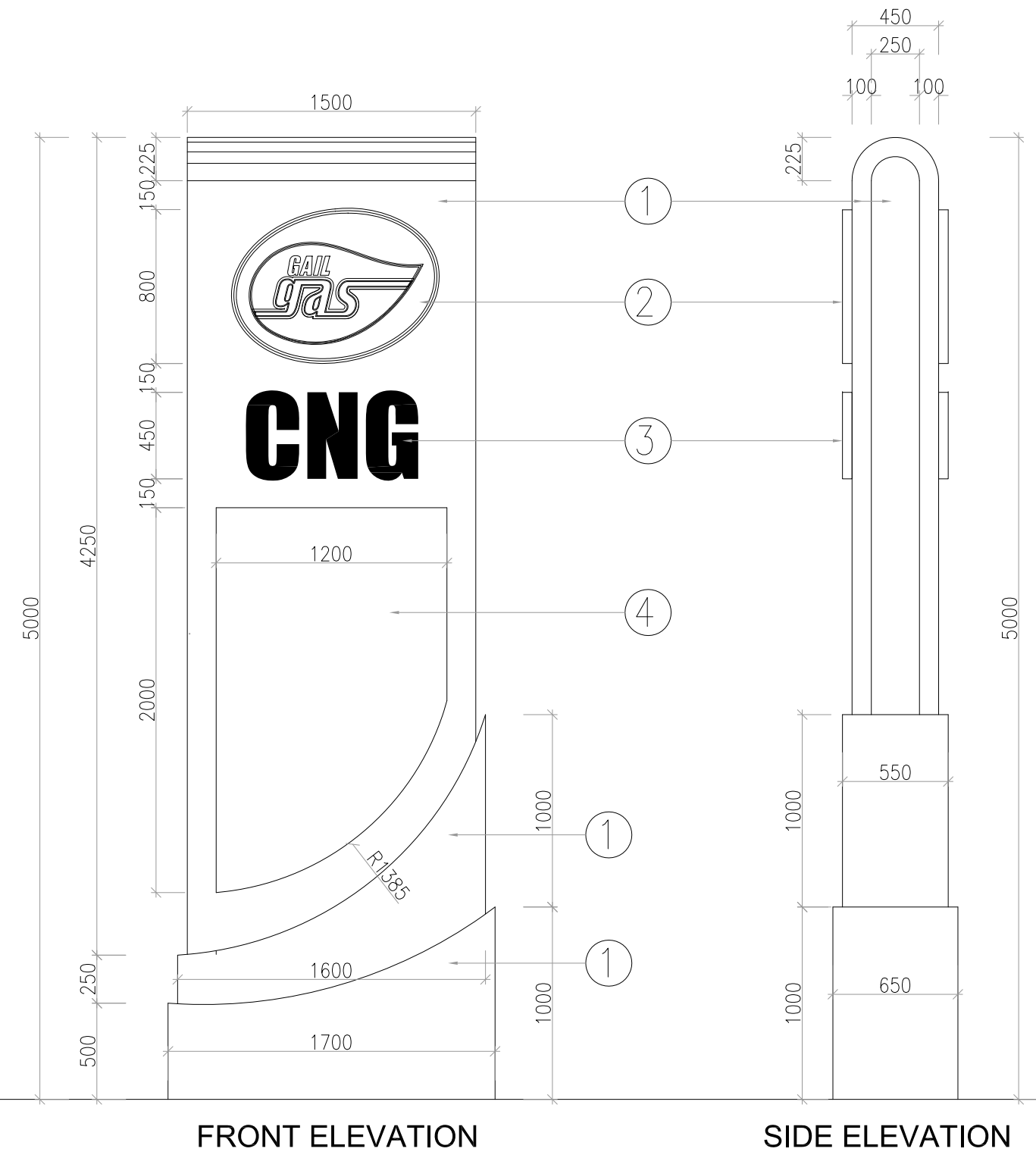
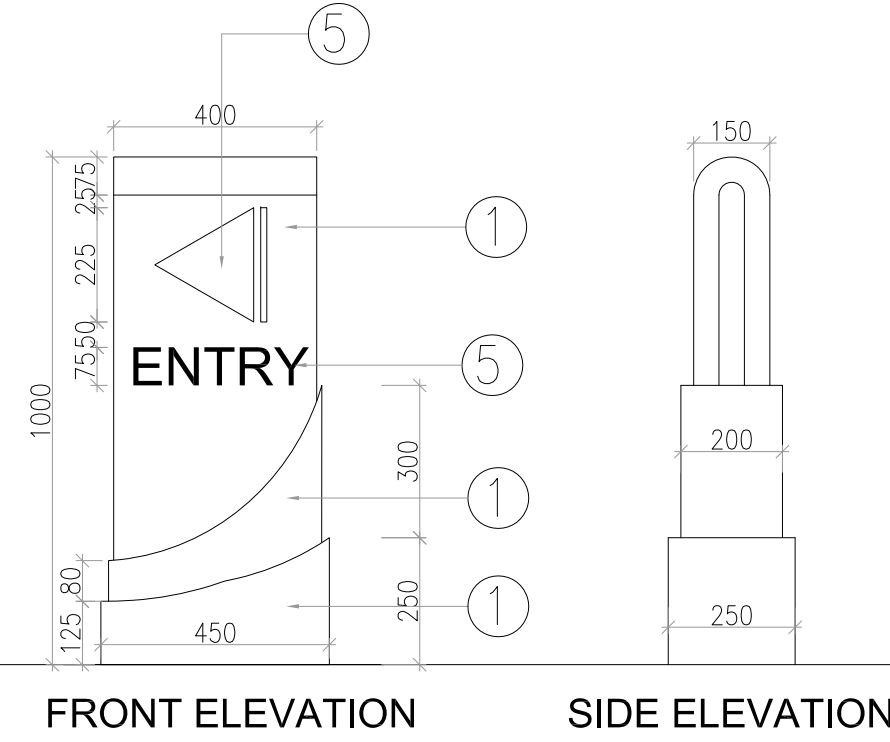


DATE 03-12-2009 FOR TENDER DISTRIBUTION



MONOLITH



ENTRY- EXIT SIGNAGE

NOTES:-
 AUCTIONEER is the sole owner of the drawing and design (and all derivative works and compilations incorporating the drawing and design) which are subject to Intellectual property rights under the relevant statutory provisions of India. Modified drawings are considered derivatives of the original and receive the same protection even if the drawing is completely redrawn. Unauthorised use or duplication of the drawings and design is a violation of Law and may result in punitive damages, stop construction or seizure or destruction of any buildings constructed in violation of Architect's rights. The one-time-right to build this drawing and design does not extend to others or beyond the original purchaser of this design.

Auctioneers shall not be held responsible for the designs and action incorporated in designs or drawings that falls in the scope of any of the co-consultants mentioned in the drawing schedule. The release of the drawing for any purpose does not imply confirmation of it to any statute. Auctioneers shall not be held liable for any such confirmation required.

Each drawing is to be read in accordance to the overall design provided. In case of any contradiction found, it must be brought to AUCTIONEER'S notice before using the drawing and design in any manner.

- LEGEND:**
- 3mm ACM to be used for cladding duly CNC machine routed and fold as per drawing as per the approved make and specification.
 - COMPANY LOGO: 800mm in ht. & 50mm projected Acrylic / PETG thermoformed shape & letters(as per art work) covered with vinyl of approved make with the provisions of illuminations during night.
 - CNG LOGO: 450mm in ht. & 50 mm projected Acrylic / PETG thermoformed letters(as per art work) covered with vinyl of approved make with the provisions of illuminations during night.
 - Cut Retro reflective vinyl on ACM top to be paste as per artwork and fixed as per the details on both sides with provision of the LED numbers for rate indication.
 - Cut Retro reflective vinyl shape & letters on ACM top to be paste as per artwork and fixed as per the details on front side.

- NOTE:**
- Required MS Frame structure as per the Str. details.
 - Monolith should be placed at min 600mm above Road LVL/ FFL with required RCC foundation.
 - ENTRY/EXIT signs should be placed as per the direction of the site in charge.

TENDER DRAWING
 ISSUED ON 03-12-09

SR NO.	DATE	REVISION	BY	DR	CH

PROJECT TITLE :
GAIL GAS LIMITED

BRANDING

DRAWING TITLE :
MONOLITH & ENTRY/EXIT DETAIL

PROJECT AUC-GAIL-BRAND-	DRG. NO. 01-02 R0
SCALE NTS	DATE 03-12-2009
DRAWN BY VISHAL	CHECKED BY SD

CONSULTANTS:-
auctors 406, "kaivanna" panchvati ahmedabad - 380006
 www.auctorsindia.com
 respond@auctorsindia.com
 tele: 079 2640 1399 fax : 079 2656 9476