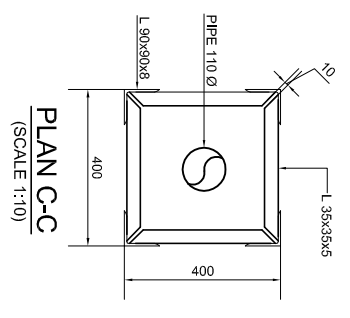
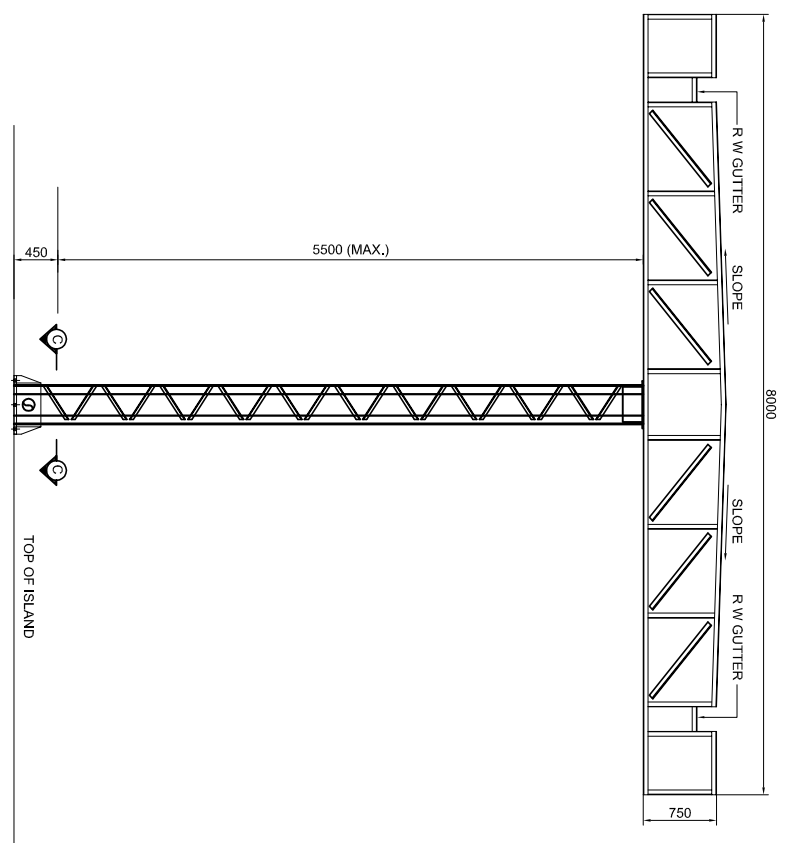


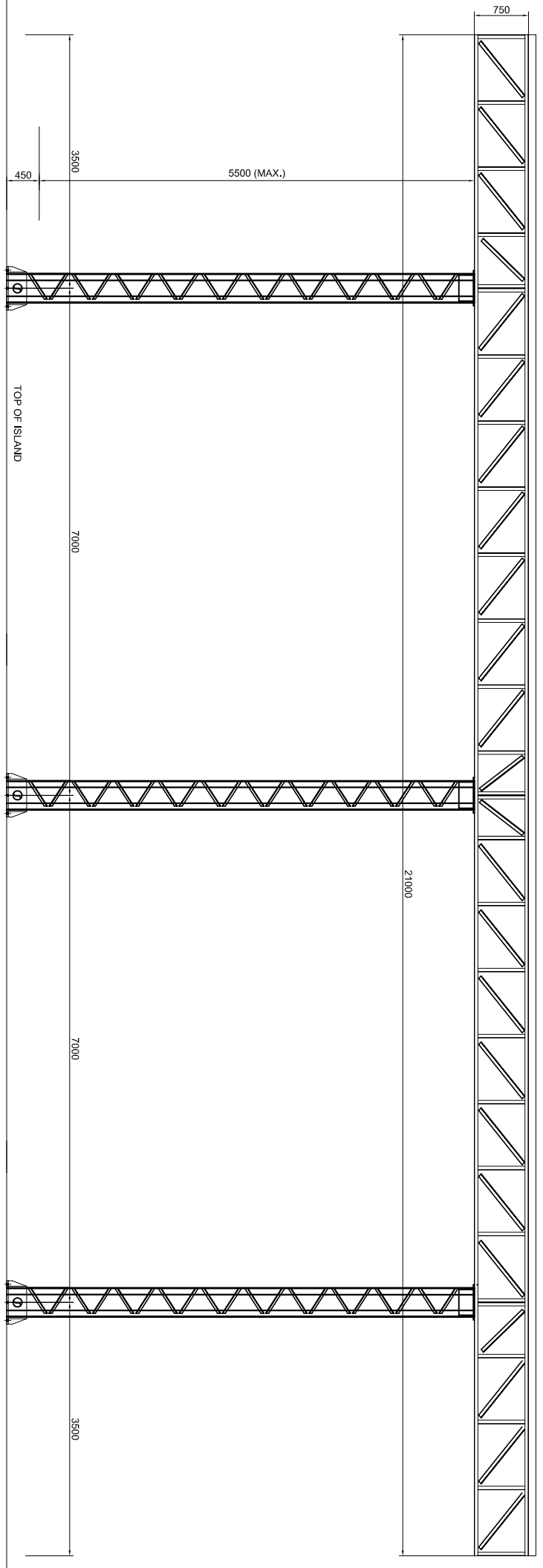
**CANOPY PLAN** (SCALE 1:75)



**PLAN C-C** (SCALE 1:10)



**SECTION A-A**  
**ELEVATION OF CANOPY** (SCALE 1:40)



**SECTION B-B**  
**ELEVATION OF CANOPY** (SCALE 1:40)

**REFERENCE DRAWING**

S/NO	DRAWING/DOCUMENT NAME	DRAWING/DOCUMENT NO.
1	LAYOUT PLAN CNG ON LINE STATION AT DEWAS	11-0290A-02-05-01-101

**NOTES:-**

1. ALL DIMENSIONS ARE IN MILLIMETERS & LEVELS ARE IN METRES.
2. FOLLOW WRITTEN DIMENSIONS ONLY & DO NOT SCALE.
3. STRUCTURAL STEEL SHALL BE IS 2062 (GRADE A1).
4. ALL BOLTS SHALL BE M20 AND ALL GUSSETS PLATES ARE MIN. 8mm THK. UNLESS SPECIFIED OTHERWISE.
5. ALL CONNECTIONS ARE WELDED UNLESS SHOWN OTHERWISE.
6. ALL WELDS SHALL BE 6mm THK. CONTINUOUS FILLET WELDS UNLESS SPECIFIED OTHERWISE.
7. FOR CLADDING DETAILS REFER DWG. NO.-01-01 RO

CANOPY STRUCTURE TO BE PRE-FABRICATED TO THE EXTENT POSSIBLE; SITE WELDING TO BE MINIMIZED.

CLADDING DETAILS NOT SHOWN ON DWG.

NO	DATE	REVISION	PREPD	CHKD	APPD
C	24.12.09	ISSUED FOR TENDER	NU	SA	HM
B	14.12.09	ISSUED FOR CLIENT APPROVAL	NU	SA	HM
A	11.12.09	ISSUED FOR I.D.C	NU	SA	HM

**CLIENT**  
GAIL GAS LIMITED  
2<sup>nd</sup> FLOOR, HHEC BUILDING  
A-2, SECTOR-2, NOIDA 201301

**CONSULTANT**  
**J.P. KENNY**  
a trading name of  
WOOD GROUP ENGINEERING INDIA PVT. LTD.  
NEW DELHI

**PROJECT**  
CITY GAS DISTRIBUTION PROJECT

**TITLE**  
G.A. DETAIL OF CANOPY AT DEWAS

SCALE	SIZE	JOB NO.	DRAWING NUMBER	SHEET	REV
AS SHOWN	A1	11-0290	11-0290A-02-05-01-112	1 OF 1	C