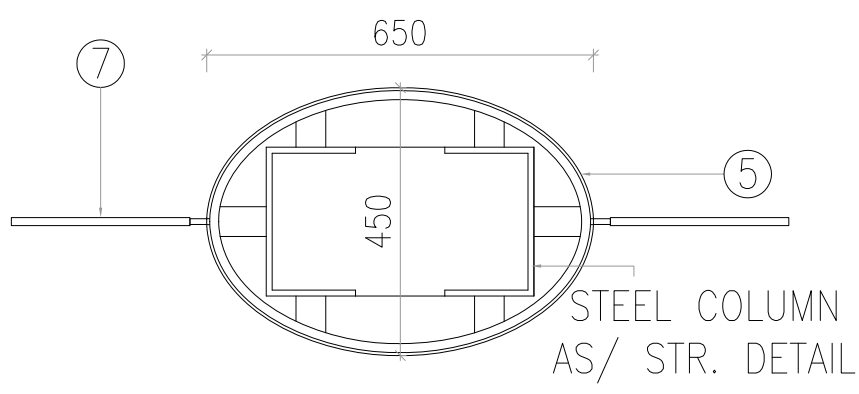
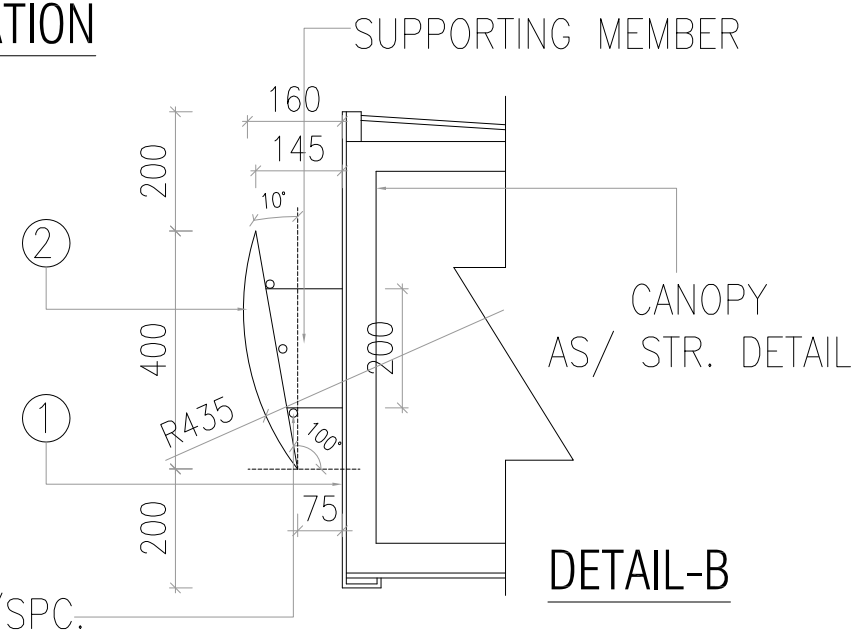


TYPICAL CANOPY FRONT ELEVATION



SECTION A-A



DETAIL-B

LED LIGHT AS/SPC.

**NOTES:-**  
 AUCTIONERS is the sole owner of the drawing and design (and all derivative works and compilations incorporating the drawing and design) which are subject to Intellectual property rights under the relevant statutory provisions of India. Modified drawings are considered derivatives of the original and receive the same protection even if the drawing is completely redrawn. Unauthorised use or duplication of the drawings and design is a violation of Law and may result in punitive damages, stop construction or seizure or destruction of any buildings constructed in violation of Architect's rights. The one-time-right to build this drawing and design does not extend to others or beyond the original purchaser of this design.

Auctors shall not be held responsible for the designs and action incorporated in designs or drawings that falls in the scope of any of the co-consultants mentioned in the drawing schedule. The release of the drawing for any purpose does not imply confirmation of it to any statute. Auctors shall not be held liable for any such confirmation required.

Each drawing is to be read in accordance to the overall design provided. In case of any contradiction found, it must be brought to AUCTIONER'S notice before using the drawing and design in any manner.

- LEGEND:**
1. FASCIA: 800mm in ht. 3mm ACM to be used for cladding duly CNC machine routed and fold as per drawing as per the approved make and specification.
  2. FASCIA BAND: 400mm in ht. Acrylic / PETG thermoformed band with necessary support covered with vinyl of approved make with the provisions of illuminations during night with LED of approved make.
  3. COMPANY LOGO: 700mm in ht. Acrylic / PETG thermoformed shape & letters(as per art work) covered with vinyl of approved make with the provisions of illuminations during night. Logo on front left and left side front.
  4. GAIL GAS LOGO: 450mm in ht. Acrylic / PETG thermoformed letters(as per art work) covered with vinyl of approved make with the provisions of illuminations during night. Logo on front right as per DWG.
  5. COLUMN CLADDING: 3mm ACM cladding on top of steel structure through cold forming process as per the drawing and details with the provisions of spreaders on both side.
  6. Cut vinyl as per the detail on column cladding.
  7. SPREADERS: 450x450mm Cut Retro reflective vinyl on MS framed ACM top to be paste as per artwork and fixed as per the details on both sides of canopy column.
  8. SAFETY SIGNS: 200x200 mm Retro reflective vinyl pasting on front face of column as per the artwork of approved make and color.
  9. CRASH GUARD: 80mm dia MS pipe or as per design with two coat of zinc oxide and metallic paint as per the specifications and detail.

- NOTE:**
1. Canopy front fascia corner details are fixed as per the DWG and the overall dimensions may varies as per site to site.
  2. For canopy sides and back follow typical Detail:A
  3. Canopy column location as per the respective site layout and canopy detail.

TENDER DRAWING  
 ISSUED ON 07-09-2009

SR NO.	DATE	REVISION	BY	DR	CH

PROJECT TITLE :  
**GAIL GAS LIMITED**

DRAWING TITLE :  
**CANOPY CLADDING DETAIL**

PROJECT AUC-GAIL-BRAND	DRG. NO. 01-01 R0
SCALE NTS	DATE 03-12-2009
DRAWN BY VISHAL	CHECKED BY SD

CONSULTANTS:-  
**auctors** 406, "kaivanna" panchvati ahmedabad - 380006  
 www.auctorsindia.com  
 respond@auctorsindia.com  
 tele: 079 2640 1399 fax : 079 2656 9476

DATE 03-12-2009  
 ISSUED FOR TENDER  
 DISTRIBUTION