

**STANDARD FOR CHAIN LINK FENCING**

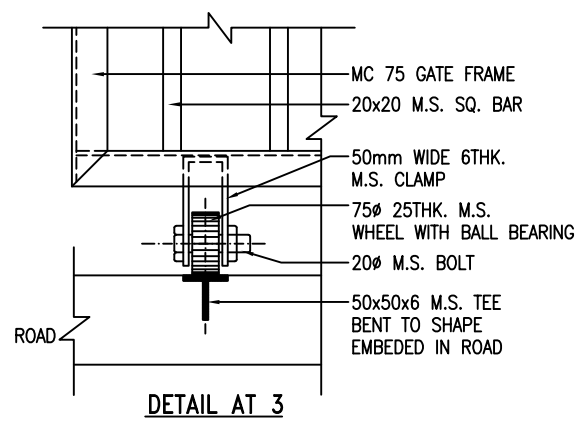
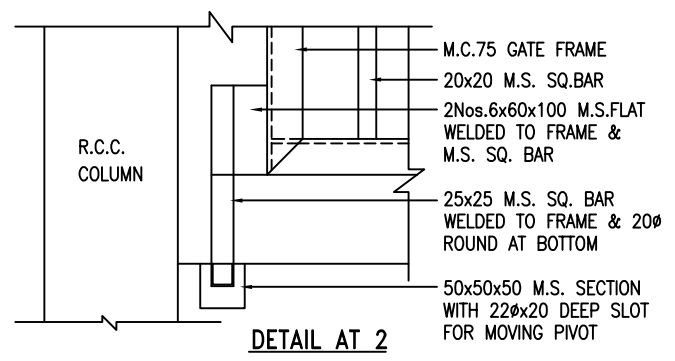
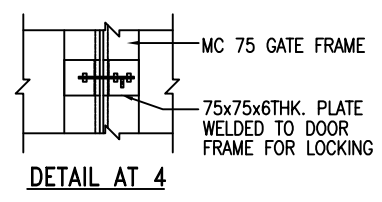
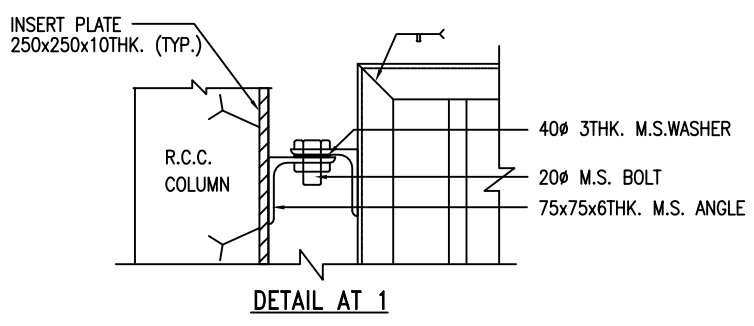
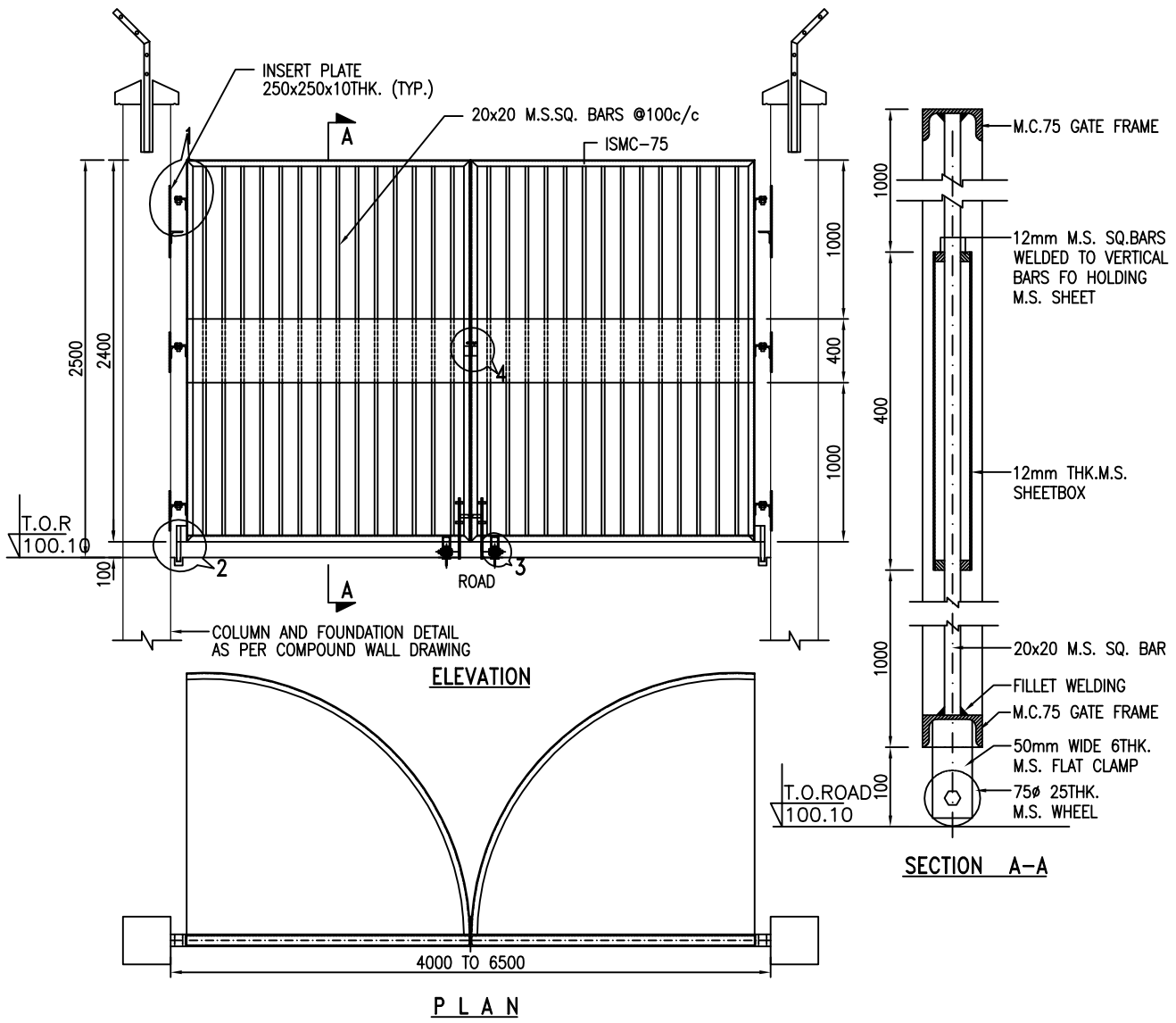
**DRAWING NUMBER**

1-05-004

SHEET 1 OF 1

**REV**

A



STANDARD FOR GATE DETAIL

DRAWING NUMBER

REV

1-05-032

A

SHEET 1 OF 2

